

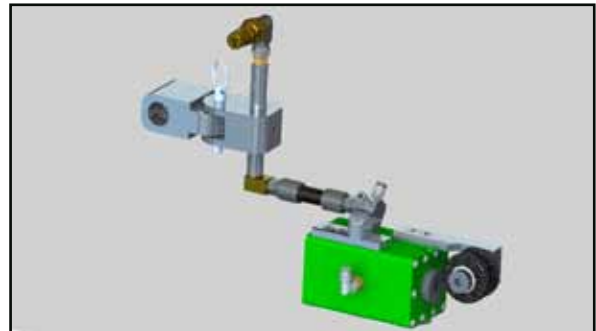
# 1100-BOS-AUTO-03 System



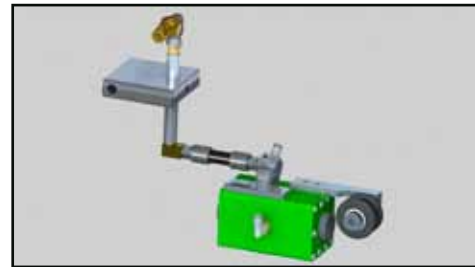
LEADING TECHNOLOGY IN CABLE APPLICATOR SYSTEMS.

A NEW DESIGN MAKING CABLE LUBRICATION QUICK & EASY WITHOUT THE MESS.

The 1100-BOS-AUTO-03 System is designed to automatically apply a metered amount of corrosion inhibitor to the cable at varying cable speeds. The 1100-BOS System is not used for cleaning a cable, and must be removed before rigging-up or rigging-down of cable.



Optional Geolog Mount



Optional Benchmark Mount

- High cable speed lubrication.
- Even Corrosion inhibitor lubricant coverage.
- No lubricant wastage.
- One brush size covers a range of cable sizes.
- Bushings snap into the collar without tools.
- The collar is extremely strong & light weight.
- Quick to install.
- Easy to use.



## For Sales Contact:

**Cable Service & Repair**  
 1131 Blume Rd.  
 Rosenberg, TX 77471  
 CALL: +281-342-4492  
 (Toll Free) +1-800-342-4492

